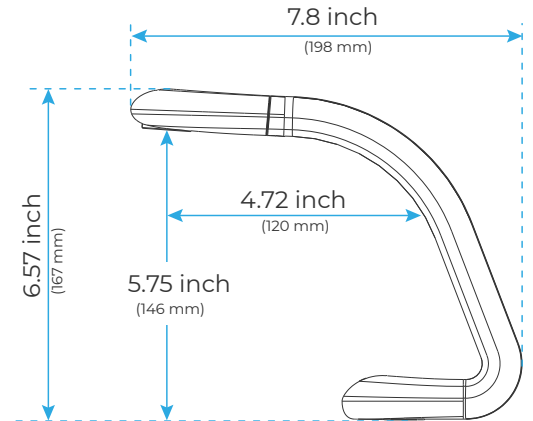
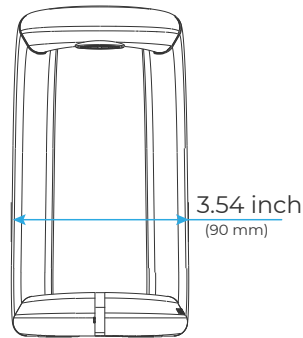


COMMERCIAL AUTOMATIC SENSOR HANDS FREE FAUCET SPECIFICATIONS



Size



Specs

Material : Brass Body+Zine Handle

Aerator : Neoperl aerator

Surface : Chrome

Flow rate : 8.3L/min @ 0.3 MPa

Valve Element : Sedal 35mm ceramic cartridge

Accessories : 450mm M10-G1/2 SS hose 2pcs

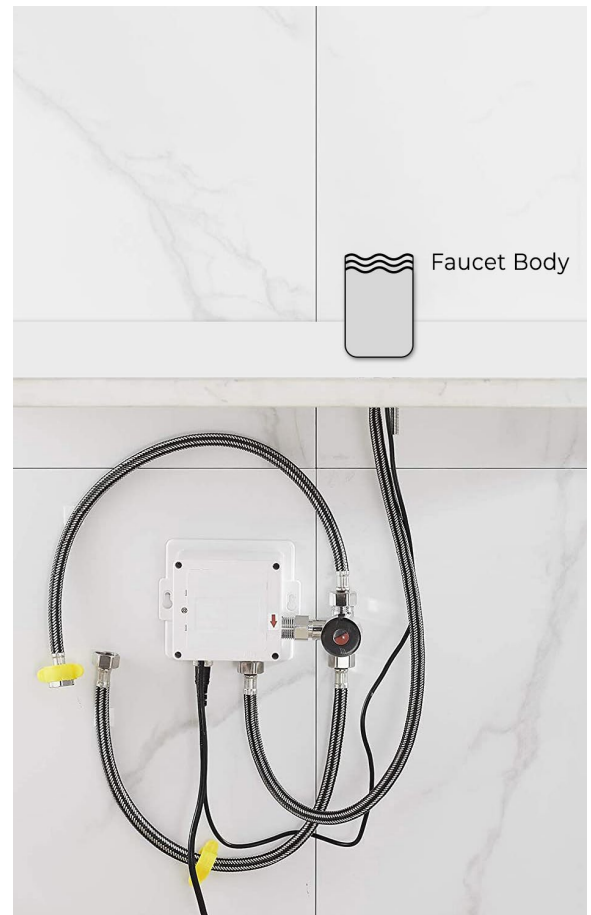
FEATURES

Commercial Grade Faucet, ADA Compliant, Cast Brass Spout, Quick

Connect Fittings, Integrated Water Shut-off, Hygienic Line Flush,

Water Usage and Battery Strength Reporting, Self-adapting Sensor

Overview



All dimensions and specifications are nominal and may vary. Use actual products for accuracy in critical situations.